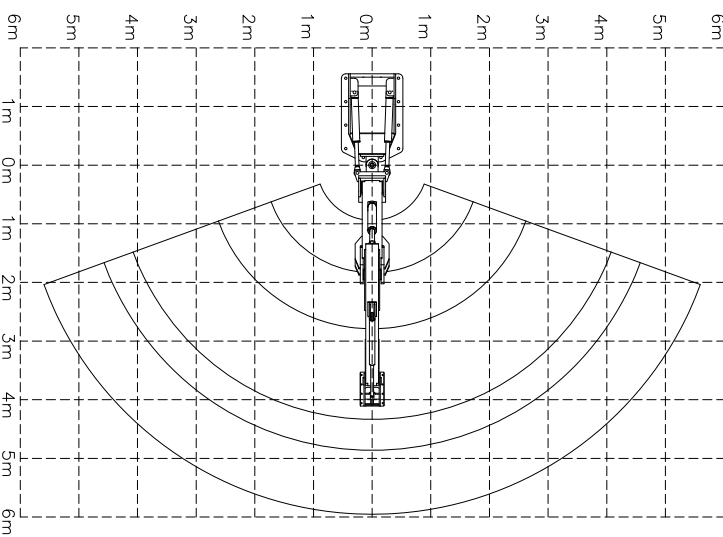
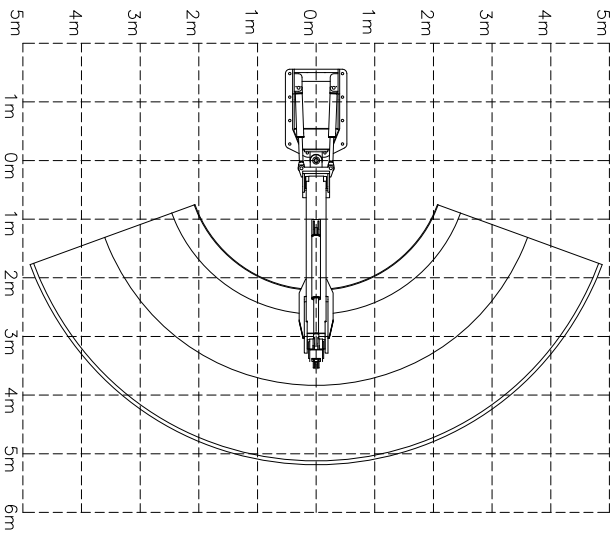
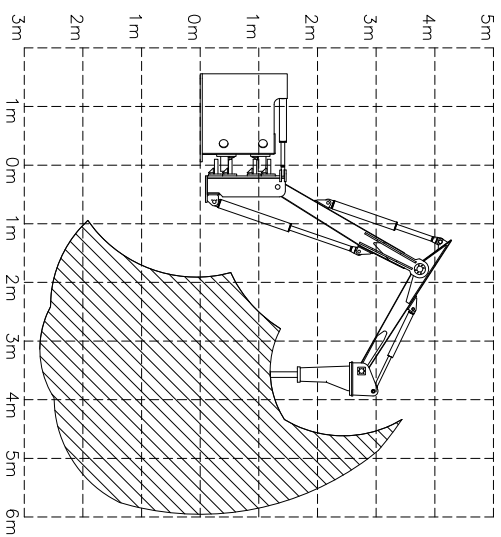
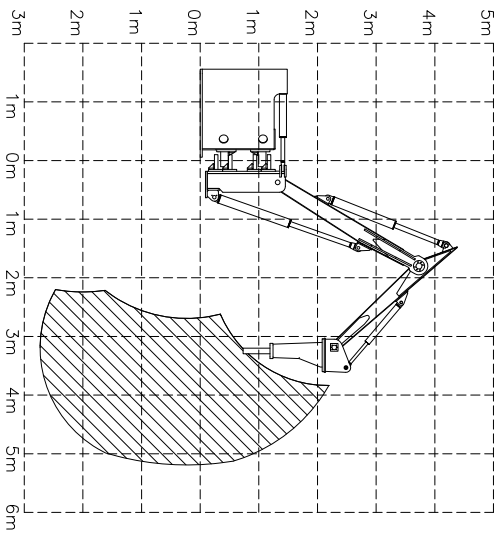


REACH WITH HAMMER VERTICAL

REACH WITH HAMMER @ 30°



**KAROCK**  
HYDRAULIC IMPACT  
BREAKERS

PO BOX 1197  
SOUTH AFRICA 2570  
Tel: +27 21 551 5900  
Fax: +27 21 551 5901

Condition: **Material**

Drawn: **7/17/2009** Name: **H.J. Alberts**

Checked: **7/17/2009** Name: **H.J. Alberts**

Standard: **7/17/2009** Name: **H.J. Alberts**

THIS DRAWING IS UNCONTROLLED AND IS NOT VALID FOR CONSTRUCTION PURPOSES UNLESS IT IS USED IN CONJUNCTION WITH THE ORIGINAL DRAWING AND THE ORIGINAL DRAWING IS AVAILABLE FOR REFERENCE.

Drawing No. **Impala**

1  
A2