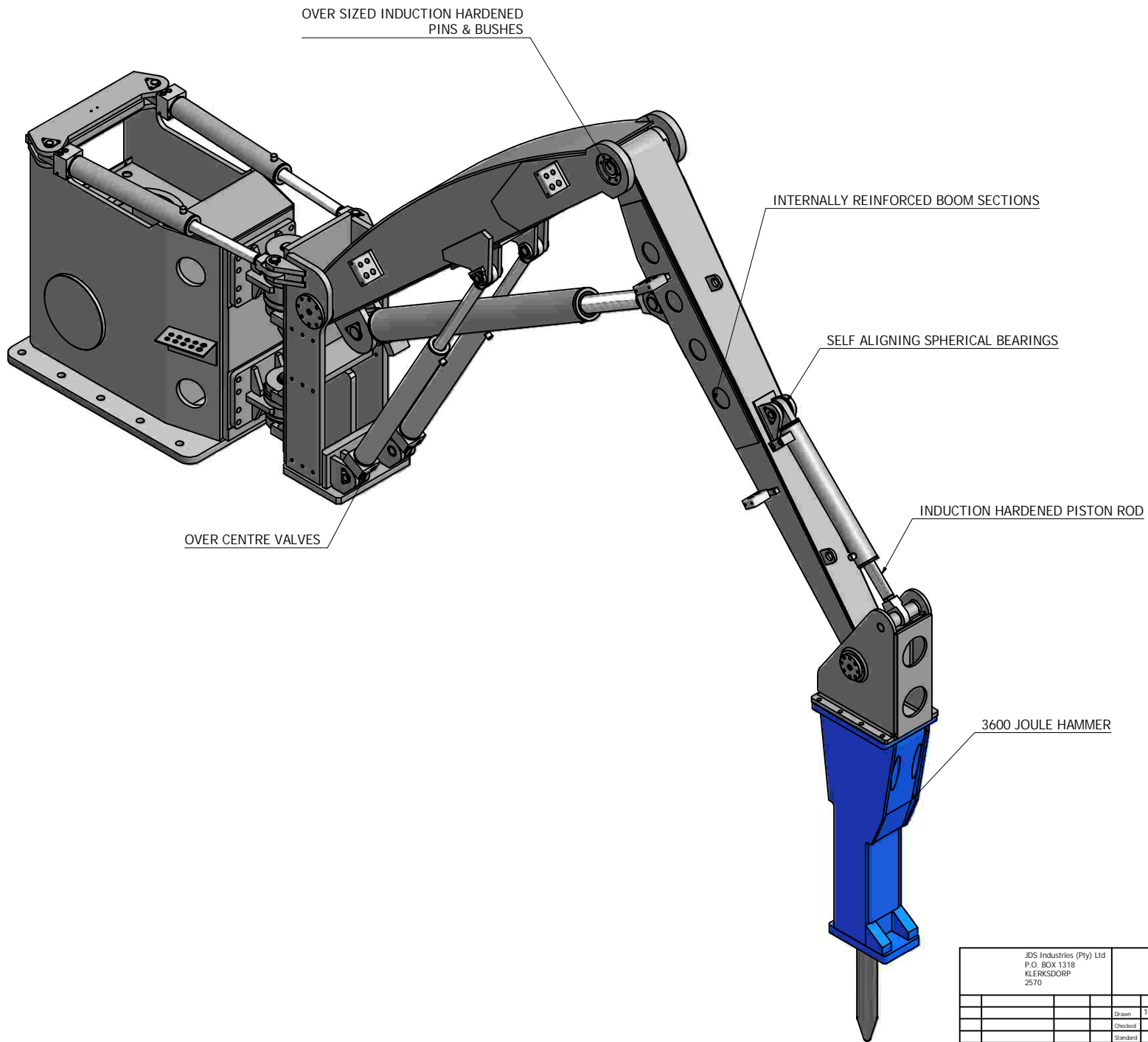
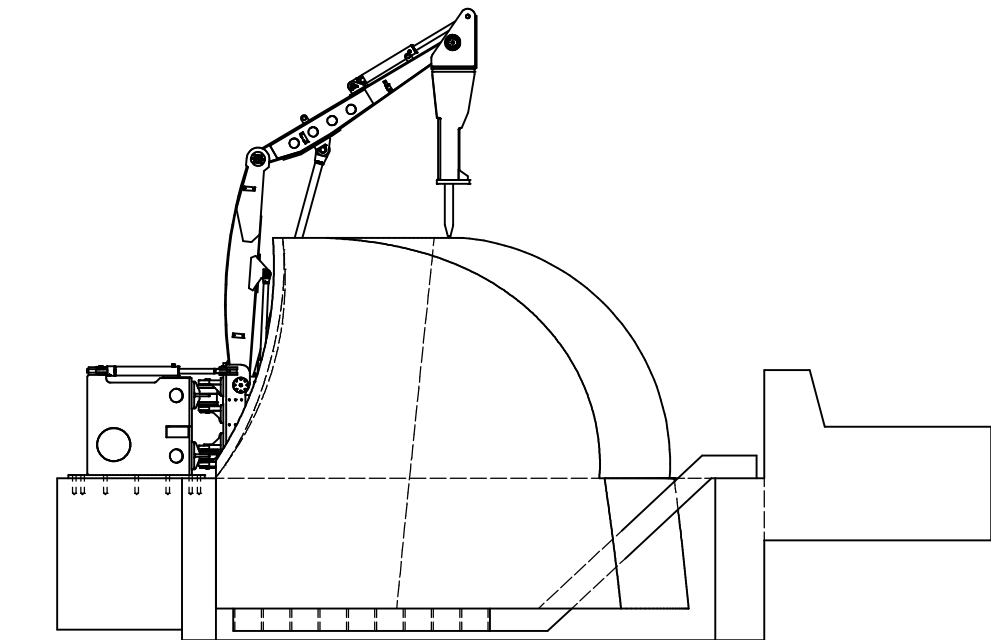


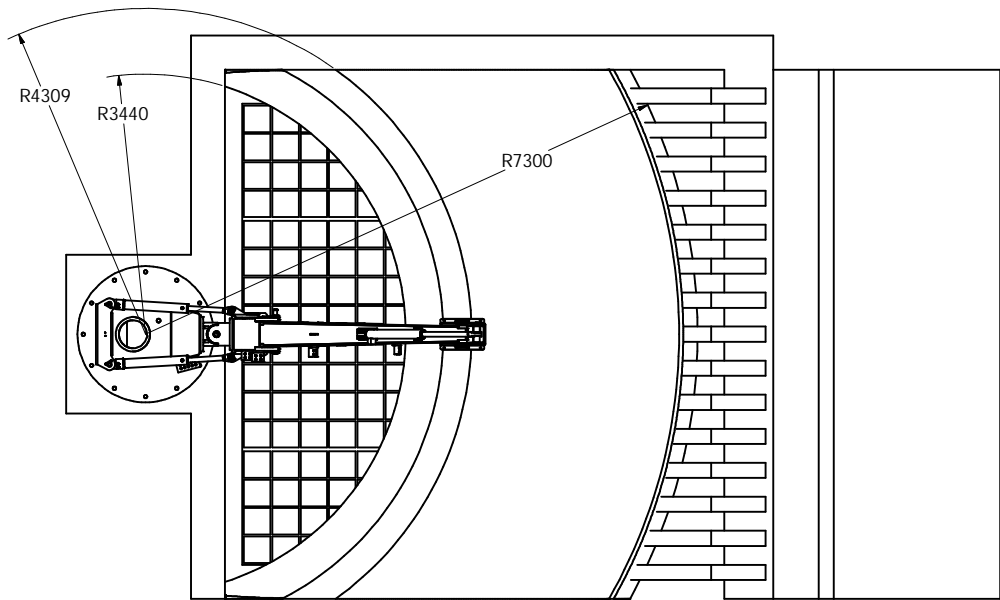
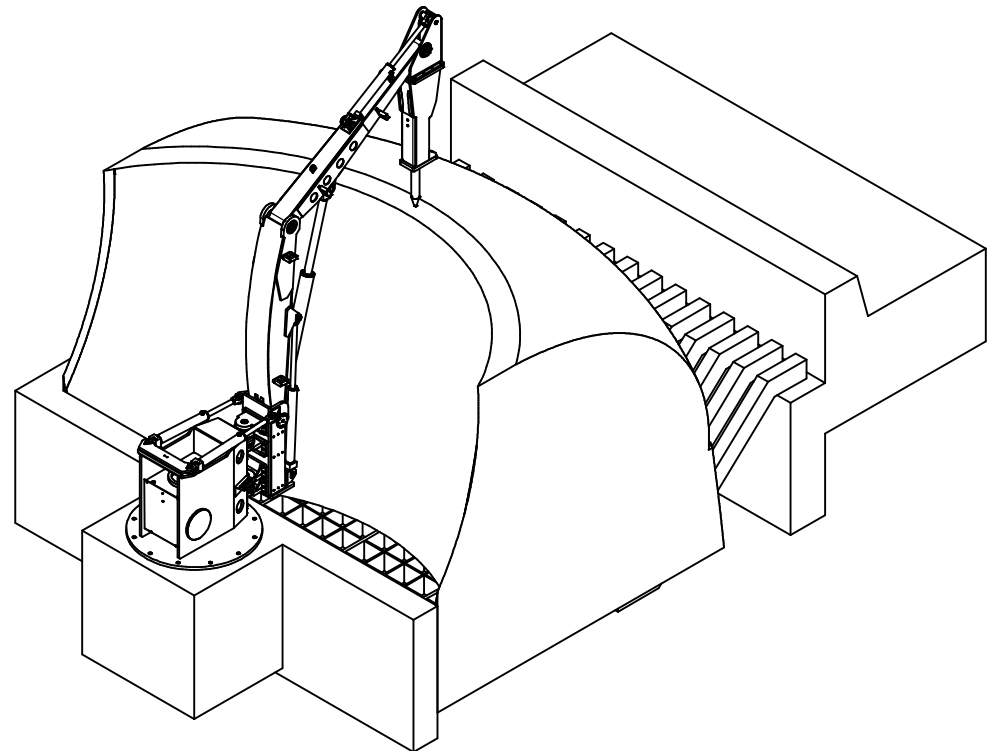
JDS Industries (Pty) Ltd P.O. BOX 1318 KLERKSDORP 2570				Condition
				Material
		Date	Name	Description
		1/30/2008	H. Alberts	MARK 3 140 SLEW
Drawing No.			1	
Mark 3 Assy			A2	
State	Changes	Date	Name	



JDS Industries (Pty) Ltd P.O. BOX 1318 KLERKSDORP 2570				Condition
				Material
		Date	Name	Description
		1/30/2008	H. Alberts	MARK 3 140 SLEW
		Checked		
		Standard		
Drawing No.				2
Mark 3 Assy				A2
State	Changes	Date	Name	



REACH PROGRAM WITH HAMMER IN
 VERTICAL POSITION
 HAMMER @ 30° 95% REACH IN TIP
 NOT SHOWN



JDS Industries (Pty) Ltd P.O. BOX 1318 KLERKSDORP 2570				Condition
				Material
		Date	Name	Description
		1/30/2008	H. Alberts	MARK 3 140 SLEW
		Checked		
		Standard		
Drawing No.				3
Mark 3 Assy				A2
State	Changes	Date	Name	